

FAG

**53207**

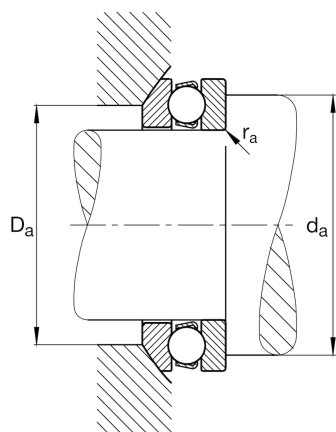
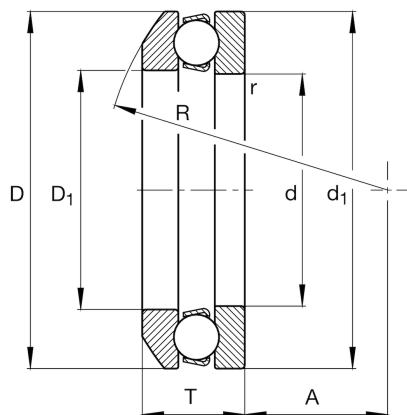
Axial deep groove ball bearing

Schaeffler ID:  
0167157990000

Axial deep groove ball bearing 532, single direction, with spherical housing washer, steel sheet metal cage

## Technical information

## Main Dimensions &amp; Performance Data



d	35 mm	Bore diameter
D	62 mm	Outside diameter
T	19.9 mm	Height
$C_a$	35,500 N	Basic dynamic load rating, axial
$C_{0a}$	67,000 N	Basic static load rating, axial
$C_{ua}$	3,100 N	Fatigue load limit, axial
$n_G$	6,000 1/min	Limiting speed
$n_{gr}$	8,000 1/min	Reference speed
	0.221 kg	Weight

## Dimensions

$r_{min}$	1 mm	Minimum chamfer dimension
$D_1$	37 mm	Bore diameter housing washer
$d_1$	62 mm	Lip diameter shaft washer
R	50 mm	Radius spherical housing washer
A	24 mm	Distance of the center point
$T_1$	22 mm	Height with seat washer

## Mounting dimensions

$d_{a min}$	51 mm	Minimum diameter shaft shoulder
$D_{a max}$	48 mm	Maximum diameter of housing shoulder
$r_{a max}$	1 mm	Maximum recess radius

## Additional information

A	0.028	Minimum load factor
	U207	Seat washer

## Temperature range

$T_{min}$	-30 °C	Operating temperature min.
$T_{max}$	150 °C	Operating temperature max.